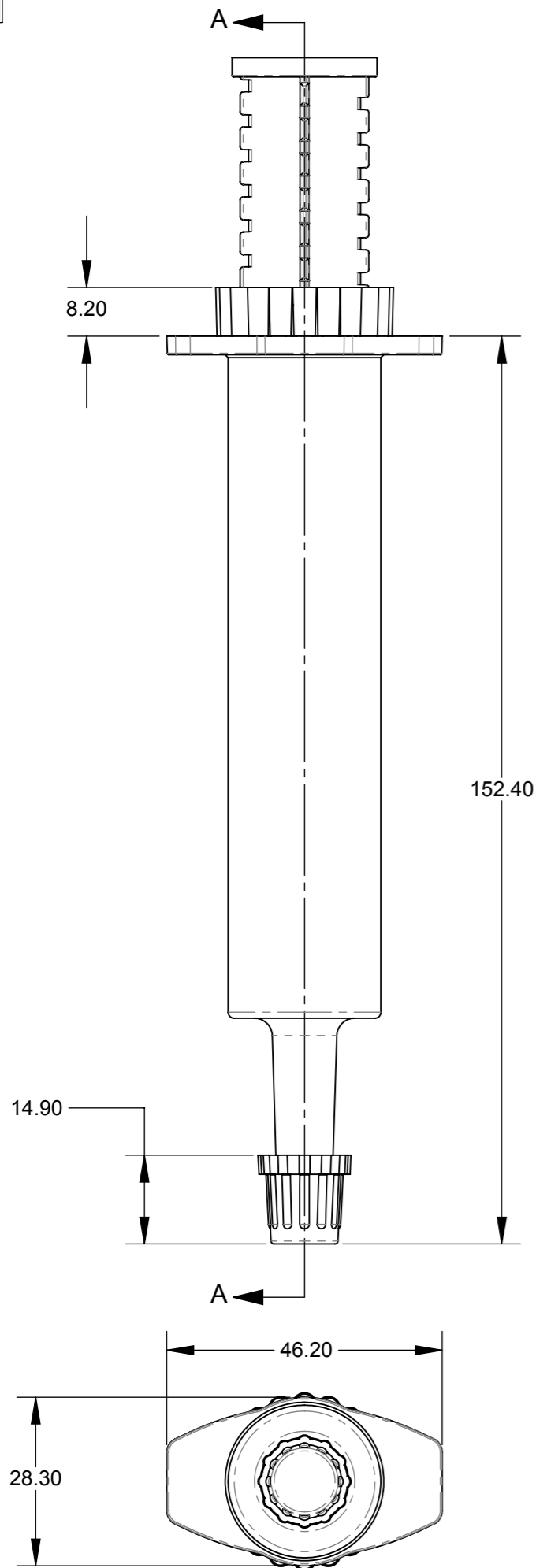
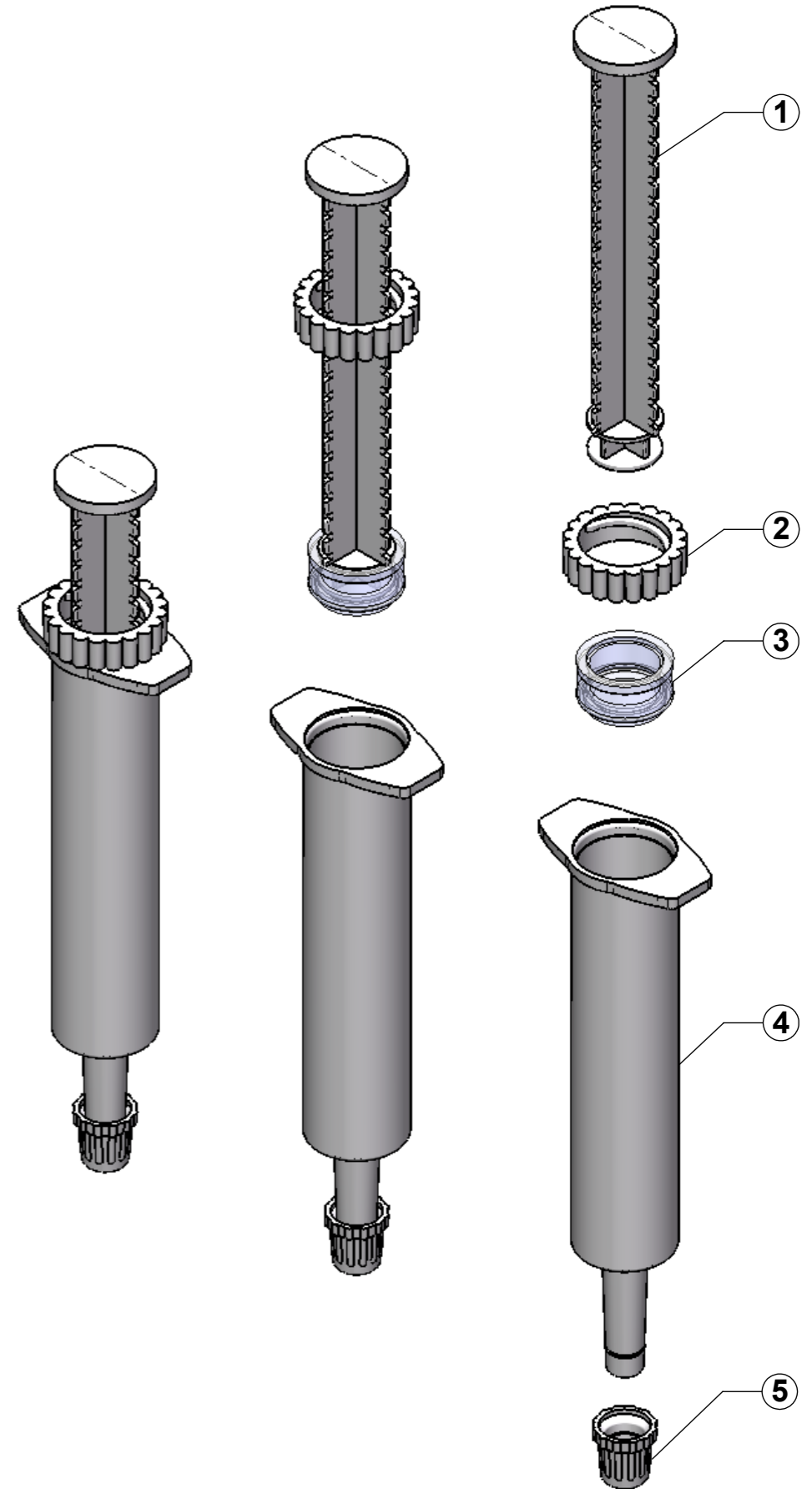
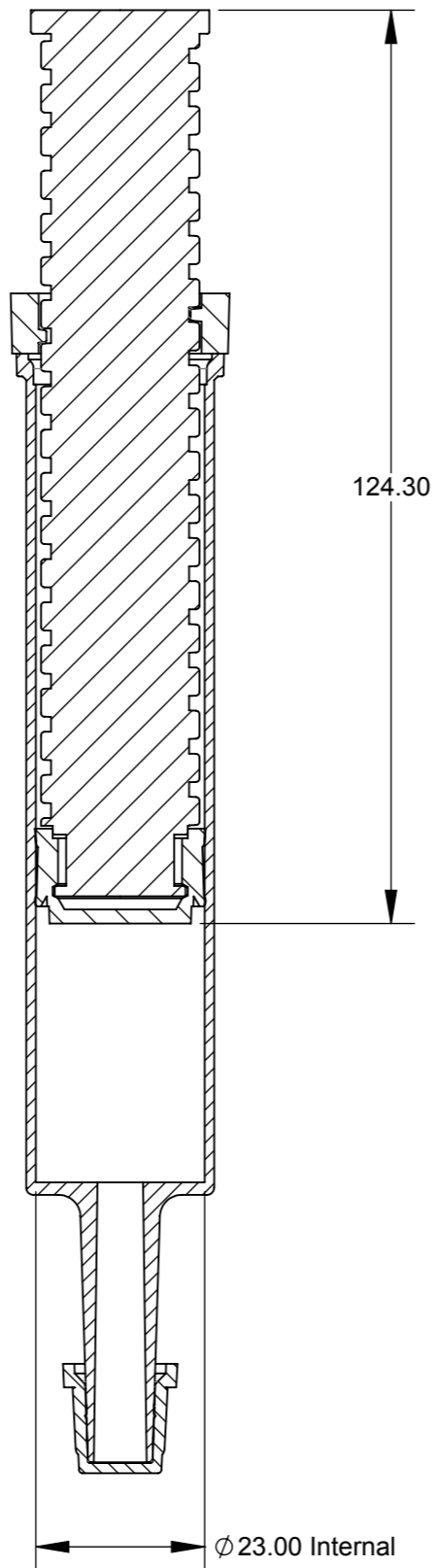


A3



SECTION A-A



Item	Description	Qty.	Material
1	PLUNGER	1	HDPE
2	RING	1	HDPE
3	PISTON	1	LDPE
4	BARREL	1	LLDPE
5	CAP	1	LDPE

TOLERANCES All Dimensions in mm
 ±0.10 Dimensions less than 50.00
 ±0.25 Dimensions more than 50.00
 ±0.10° Angles
 DRAFT As Specified
 UNLESS OTHERWISE SPECIFIED

COMPLETE PLASTIC SERVICES

52-54 Alexander Avenue
 Taren Point
 NSW 2229 Australia

Tel: + 61 2 9531 1122
 Fax: + 61 2 9531 1144
 www.implastics.com.au

Designed	Material	HDPE & LDPE & LLDPE	Customer	Created Date	26/5/2005
Design Appr.	Finish	Polished	Material Volume	Total 29.2 cc	
Drawn	HG	Project	Notes		
Drawing Appr.	Description	All Components			Sheet
Checked					1 of 3
Approved	Scale	1:1	Part No./Drawing No.	36 ml Syringe	
Date	14/11/2012				Revision
					1.0

This drawing is the sole property of Complete Plastic Services Pty Ltd. It is to be treated as confidential and is not to be copied or communicated to any other person without the written consent of Complete Plastic Services Pty Ltd.

Drawing Practice AS1100

DO NOT SCALE