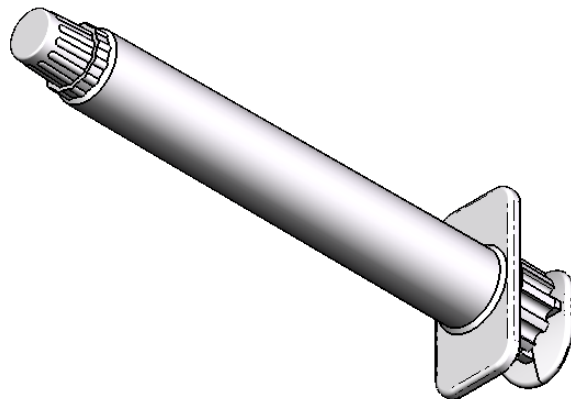


SECTION A-A



UNLESS OTHERWISE SPECIFIED:  
DIMENSIONS ARE IN MILLIMETERS  
TOLERANCES: LINEAR +/- 0.05 mm  
ALL DRAFT: As Specified in CAD

FINISH:

**Polished**

DATE:

29/1/2013

DO NOT SCALE DRAWING

REVISION

**Complete Plastic Services**

DATE	REVISION	DRAWN	CHECKED

TITLE:

**10 ml Syringe - All Parts**

MATERIAL:

**HDPE - White**

DWG NO.

A4

APPROX. WEIGHT: 20.5 g

SCALE: 1:1

SHEET 1 OF 1